

# ES28.2ZT



Concrete solutions. Always.

**Engine D1503-M**

**Engine power 24,9 kW - 33,4 HP**

**Operating Weight 2.700 - 2.850 kg**

 **EUROCOMACH®**

# ES28.2ZT

Operating weight with canopy (with rubber tracks)	kg	2.700
Operating weight with cabin (with rubber tracks)	kg	2.850
Travelling speed (AUTO TWO SPEED)	km/h	1 <sup>a</sup> : 0 ÷ 2,5 / 2 <sup>a</sup> : 0 ÷ 4,6
Slew speed	rpm	10

## ENGINE

Type	KUBOTA D1503-M	
Max Power (2.200 rpm)	kW - HP	24,9 - 33,4
Displacement	cc	1.499
Number of cylinders	n°	3
Cooling	water	
Consumption	lt/h	4,6
Alternator	V (A)	12 (40)
Battery	V (Ah)	12 (80)

## HYDRAULIC SYSTEM

Circuit Type	load sensing closed center system with flow sharing control valve	
Pump type	1 ls variable pump + 1 gear pump	
Pump displacement	cc	48 + 5
Pump capacity	lt/min	105 + 10
Max. circuit calibration pressure	bar	250
Auxiliary system:	Max capacity	lt/min
	Max pressure	bar
		50
		200

## PERFORMANCES

Max digging depth standard arm (optional arm)	mm	2.570 (2.770)
Max dumping height with cab standard arm (optional arm)	mm	3.040 (3.165)
Bucket breaking force (standard arm) ISO 6015	daN	2.400
Arm breaking force (standard arm) ISO 6015	daN	1.950
Traction force	daN	3.400
Ground bearing pressure with rubber tracks and canopy (with cabin)	kg/cm <sup>2</sup>	0,29 (0,31)
Max slope	60% - 30°	

## DIMENSIONS

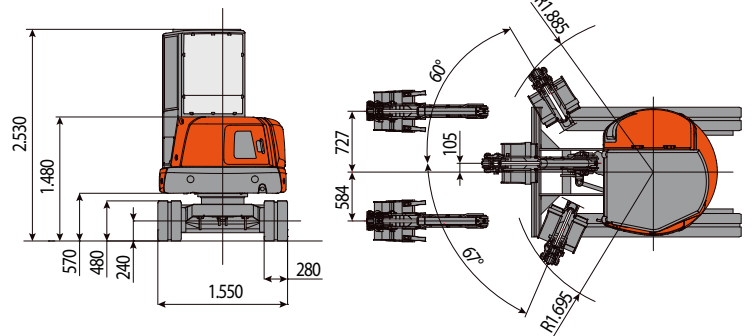
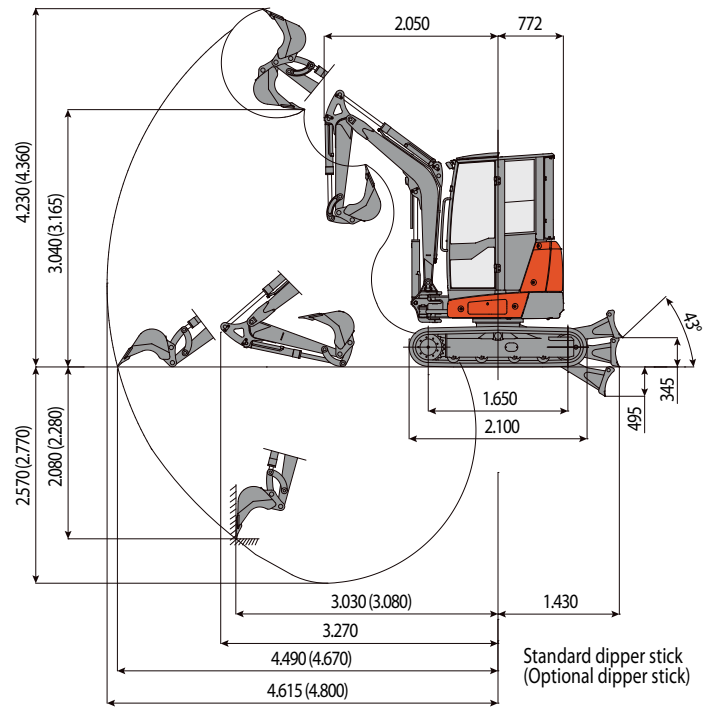
Maximum width	mm	1.550
Total height	mm	2.530
Rear rotation radius	mm	772
Digging arm length std (optional)	mm	1.110 (1.310)
Tracks width	mm	280
Rollers number (for each side)	n°	4/1

## FILLINGS

Fuel tank	lt	46
Hydraulic oil tank	lt	30
Hydraulic circuit capacity	lt	54
Cooling system capacity	lt	7,5
Engine oil	lt	7

## CONTROLS

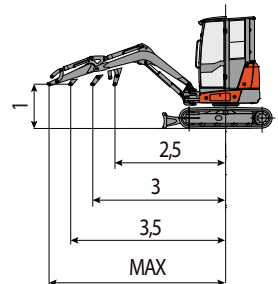
Boom, dipper stick, bucket and turret swing	2 pilot joysticks
Tracks movement (included counter rotation)	2 pilot levers
Dozer blade	pilot lever
Auxiliary circuit (simple or double effect)	electroproportional switch on right joystick
Boom swing	electroproportional switch on left joystick



## LIFTING CAPACITY

Opening arm from the rotation's center (m)  
Lifting capacity (kg) at 1.0 m height

	2,5	3	3,5	MAX
Frontal and lowered dozer blade	1002	818	690	600
Frontal and lifted dozer blade	775	574	445	375
Lateral	623	471	377	320



The lifting capacity is based on the ISO 10567 and it does not exceed more than the 75% of static tipping load or more than the 87% of the hydraulic lifting capacity of the machine.

 **EUROCOMACH®**